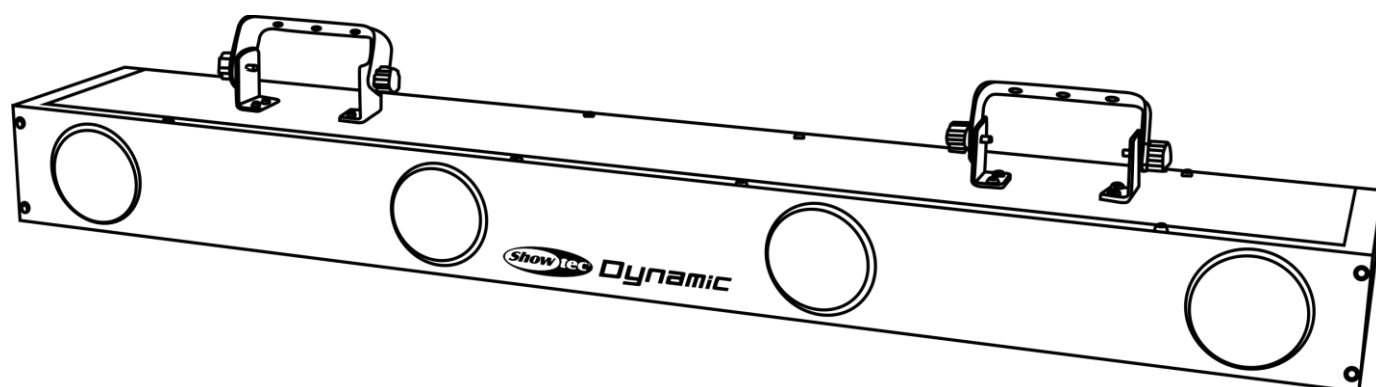




MANUAL



ENGLISH

Dynamic LED

V4

Ordercode: 43056

Table of contents

| | |
|---|----|
| Warning | 2 |
| Safety Instructions | 2 |
| Operating Determinations | 4 |
| Rigging | 4 |
| Connection with the mains..... | 5 |
| Return Procedure | 6 |
| Claims..... | 6 |
| Description of the device | 7 |
| Overview | 7 |
| Backside | 8 |
| Installation | 8 |
| Set Up and Operation | 8 |
| Control Modes | 9 |
| One Dynamic (Auto Program, Built-in programs and Static Color)..... | 9 |
| One Dynamic (Sound-controlled) | 9 |
| Multiple Dynamics (Master/Slave control) | 9 |
| Multiple Dynamics (DMX Control) | 10 |
| Fixture Linking | 11 |
| Data Cabling | 11 |
| Control Panel | 12 |
| Control Mode | 12 |
| DMX Addressing | 12 |
| Menu Overview | 13 |
| Main Menu Options | 13 |
| 1. Built-in programs | 14 |
| 2. Auto run programs | 14 |
| 3. DMX address/ DMX channels..... | 14 |
| 4. Slave mode..... | 14 |
| 5. Sound-controlled Mode | 15 |
| 6. Static Control Mode | 15 |
| DMX Channels | 16 |
| 3 channels | 16 |
| 2 channels | 17 |
| Maintenance | 18 |
| Replacing the Fuse | 18 |
| Troubleshooting | 18 |
| No Light | 18 |
| No Response to DMX..... | 18 |
| Product Specifications | 20 |
| Dimensions | 21 |
| Notes | 22 |

Warning



**For your own safety, please read this user manual carefully
before your initial start-up!**

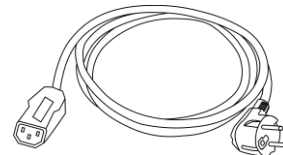
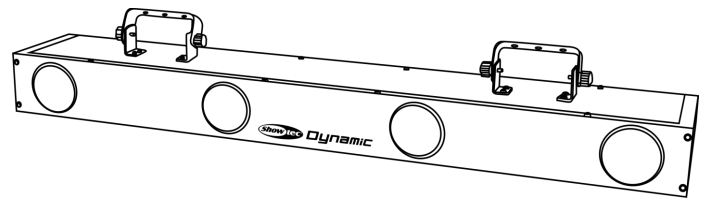


Unpacking Instructions

Immediately upon receiving this product, carefully unpack the carton and check the contents to ensure that all parts are present, and have been received in good condition. Notify the dealer immediately and retain packing material for inspection if any parts appear damaged from shipping or the carton itself shows signs of mishandling. Save the carton and all packing materials. In the event that a fixture must be returned to the factory, it is important that the fixture be returned in the original factory box and packing.

Your shipment includes:

- Showtec Dynamic LED
- IEC Power cable (1,5 m)
- User manual



LED Expected Lifespan

LEDs gradually decline in brightness over time. HEAT is the dominant factor that leads to the acceleration of this decline. Packaged in clusters, LEDs exhibit higher operating temperatures than in ideal or singular optimum conditions. For this reason, when all color LEDs are used at their fullest intensity, life of the LEDs is significantly reduced. If improving the lifespan is of higher priority, place care in providing for lower operational temperatures. This may include climatic-environmental and the reduction of overall projection intensity.



CAUTION!

**Keep this device away from rain and moisture!
Unplug mains lead before opening the housing!**



Safety Instructions

Every person involved with the installation, operation and maintenance of this device has to:

- be qualified
- follow the instructions of this manual



**CAUTION! Be careful with your operations.
With a dangerous voltage you can suffer
a dangerous electric shock when touching the wires!**



Before the initial start-up, please make sure that there is no damage caused by transportation. Should there be any, consult your dealer and do not use the device.

To maintain perfect condition and to ensure a safe operation, it is absolutely necessary for the user to follow the safety instructions and warning notes contained in this manual.

Please consider that damages caused by manual modifications to the device are not subject to warranty.

This device contains no user-serviceable parts. Refer servicing to qualified technicians only.

IMPORTANT:

The manufacturer will not accept liability for any resulting damages caused by the non-observance of this manual or any unauthorized modification to the device.

- Never let the power cord come into contact with other cables! Handle the power cord and all connections with the mains with particular caution!
- Never remove warning or informative labels from the unit.
- Never use anything to cover the ground contact.
- Never lift the fixture holding it by the projector-head, as the mechanics may be damaged. Always hold the fixture by the transport handles.
- Never place any material over the lens.
- Never look directly into the light source.
- Never leave any cables lying around.
- Never use the device during thunderstorms, unplug the device immediately.
- Do not insert objects into air vents.
- Do not connect this device to a dimmerpack.
- Do not open the device and do not modify the device.
- Do not switch the device on and off in short intervals, as this will reduce the device's life.
- Do not touch the device's housing bare-handed during its operation (housing becomes very hot). Allow the fixture to cool for at least 5 minutes before handling.
- Do not shake the device. Avoid brute force when installing or operating the device.
- Only use the device indoors, avoid contact with water or other liquids.
- Only operate the fixture after having checked if the housing is firmly closed and all screws are tightly fastened.
- Only operate the device after having familiarized with its functions.
- Avoid flames and do not put close to flammable liquids or gases.
- Always keep the case closed while operating.
- Always allow a free air space of at least 50 cm around the unit for ventilation.
- Always disconnect power from the mains, when device is not used or before cleaning! Only handle the power cord holding it by the plug. Never pull out the plug by tugging the power cord.
- Make sure that the device is not exposed to extreme heat, moisture or dust.
- Make sure that the available voltage is not higher than stated on the rear panel.
- Make sure that the power cord is never crimped or damaged. Check the device and the power cord from time to time.
- If the external cable is damaged, it has to be replaced by a qualified technician.
- If the lens is obviously damaged, it has to be replaced. So that its functions are not impaired, due to cracks or deep scratches.
- If device was dropped or struck, disconnect mains power supply immediately. Have a qualified engineer inspect for safety before operating.
- If the device has been exposed to drastic temperature fluctuation (e.g. after transportation), do not switch it on immediately. The arising condensation water might damage your device. Leave the device switched off until it has reached room temperature.
- If your Showtec device fails to work properly, discontinue the use immediately. Pack the unit securely (preferably in the original packing material), and return it to your Showtec dealer for service.
- For adult use only. The fixture must be installed beyond the reach of children. Never leave the unit running unattended.
- Never attempt to bypass the thermostatic switch or fuses.
- For replacement use fuses of same type and rating only.
- The user is responsible for correct positioning and operating of the Dynamic LED. The manufacturer will not accept liability for damages caused by the misuse or incorrect installation of this device.

- This device falls under protection class I. Therefore it is essential to connect the yellow/green conductor to earth.
- Repairs, servicing and electric connection must be carried out by a qualified technician.
- WARRANTY: Till one year after date of purchase.



CAUTION! Eyedamages!!!
Avoid looking directly into the lightsource!!!
(meant especially for epileptics)!!!



Operating Determinations

- This device is not designed for permanent operation. Consistent operation breaks will ensure that the device will serve you for a long time without defects.
- The minimum distance between light output and the illuminated surface must be bigger than 1 meter.
- The maximum ambient temperature $t_a = 40^\circ\text{C}$ must never be exceeded.
- The relative humidity must not exceed 50 % with an ambient temperature of 40°C .
- If this device is operated in any other way than the one described in this manual, the product may suffer damages and the warranty becomes void.
- Any other operation may lead to dangers like short-circuit, burns, electric shock, crash, etc.

You endanger your own safety and the safety of others!

Rigging

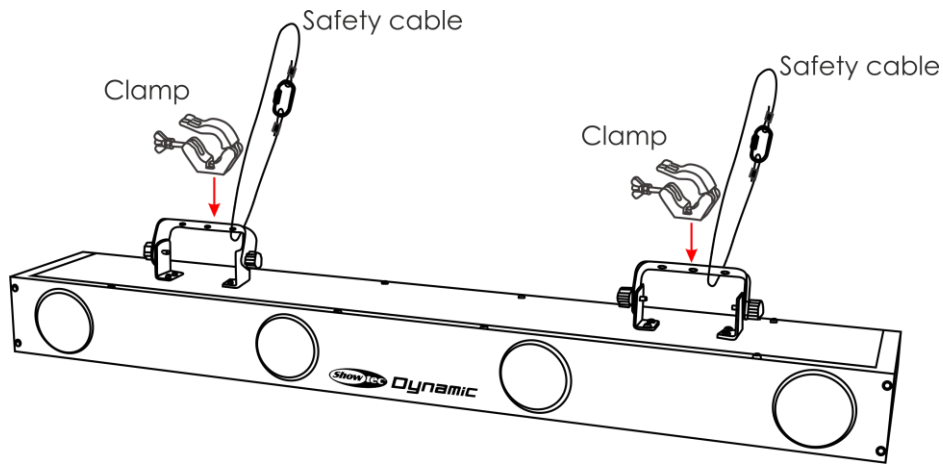
Please follow the European and national guidelines concerning rigging, trussing and all other safety issues.

Do not attempt the installation yourself !

Always let the installation be carried out by an authorized dealer !

Procedure:

- If the Dynamic LED is lowered from the ceiling or high joists, professional trussing systems have to be used.
- Use a clamp to mount the Dynamic LED, with the mounting bracket, to the trussing system.
- The Dynamic LED must never be fixed swinging freely in the room.
- The installation must always be secured with a safety attachment, e.g. an appropriate safety net or safety cable.
- When rigging, derigging or servicing the Dynamic LED, always make sure, that the area below the installation site is secured and that there are not any unauthorized people around.




The Dynamic LED can be placed on a flat stage floor or mounted to any kind of truss with a clamp.

Improper installation can cause serious injuries and/or damage of property!

Connection with the mains

Connect the device to the mains with the power-plug.

Always check if the right color cable is connected to the right place.

| International | EU Cable | UK Cable | US Cable | Pin |
|---|--------------|----------|---------------|-------------------|
| L | BROWN | RED | YELLOW/COPPER | PHASE |
| N | BLUE | BLACK | SILVER | NEUTRAL |
|  | YELLOW/GREEN | GREEN | GREEN | PROTECTIVE GROUND |

Make sure that the device is always properly connected to the earth!

Improper installation can cause serious injuries and/or damage of property!





Return Procedure



Returned merchandise must be sent prepaid and in the original packing, call tags will not be issued. Package must be clearly labeled with a Return Authorization Number (RMA number). Products returned without an RMA number will be refused. Highlite will not accept the returned goods or any responsibility. Call Highlite 0031-455667723 or mail offersales@highlite.nl and request an RMA prior to shipping the fixture. Be prepared to provide the model number, serial number and a brief description of the cause of the return. Be sure to properly pack fixture as any shipping damage resulting from inadequate packaging is the customer's responsibility. Highlite reserves the right to use its own discretion to repair or replace product(s). As a suggestion, proper UPS packing or double-boxing is always a safe method to use.

Note: If you are given an RMA number, please include the following information on a piece of paper inside the box:

- 01) Your name.
- 02) Your address.
- 03) Your phone number.
- 04) A brief description of the symptoms.

Claims

The client has the obligation to check the delivered goods immediately upon delivery for any shortcomings and/or visible defects, or perform this check after our announcement that the goods are at their disposal. Damage incurred in shipping is the responsibility of the shipper; therefore the damage must be reported to the carrier upon receipt of merchandise.

It is the customer's responsibility to notify and submit claims with the shipper in the event that the fixture is damaged due to shipping. Transportation damage has to be reported to us within one day after receipt of the delivery.

Any return shipment has to be made post-paid at all times. Return shipments must be accompanied with a letter defining the reason for return shipment. Non-prepaid return shipments will be refused, unless agreed otherwise in writing.

Complaints against us must be made known in writing or by fax within 10 working days after receipt of the invoice. After this period, complaints will not be handled anymore.

Complaints will only be considered if the client has so far complied with all parts of the agreement, regardless of the agreement of which the obligation is resulting.

Description of the device

Features

The Dynamic LED is a light effect with high output and great effects.

- 42 LED Matrix patterns
- 4-in-1 Light effect
- Wide beam angle
- Input voltage: 90-240V AC, 50/60Hz
- Power consumption: 38W (full output)
- DMX channels: 2 or 3 channels
- Light source: 64 x Red, 64 x Green, 64 x Blue, 32 Yellow and 32 White 5mm LEDs (Hi brightness)
- 4-digit LED display for easy setup
- Control modes: Auto, Sound-controlled, Static color, Built-in programs, Master/Slave, DMX
- Control protocol: DMX-512
- Protection rate: IP-20
- Housing: Die-cast black aluminum
- Cooling: Convection
- Connections: IEC connector (IN), 3-pin XLR (IN/OUT)
- Fuse: T1L/250V
- Dimensions: 930 x 150 x 155 mm (LxWxH) (incl. bracket)
- Weight: 4,4 kg

Note: Knowledge of DMX is required to fully utilize this unit.

Overview

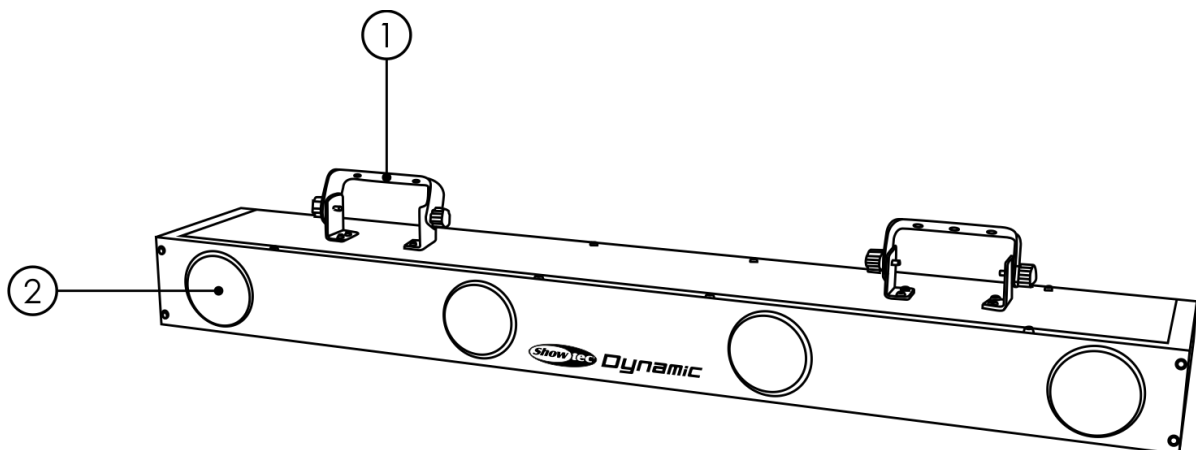


Fig. 01

- 01) Mounting bracket with adjustment screws
02) 64 x Red, 64 x Green, 64 x Blue, 32 Yellow and 32 White 5mm LEDs (Hi brightness)

Backside

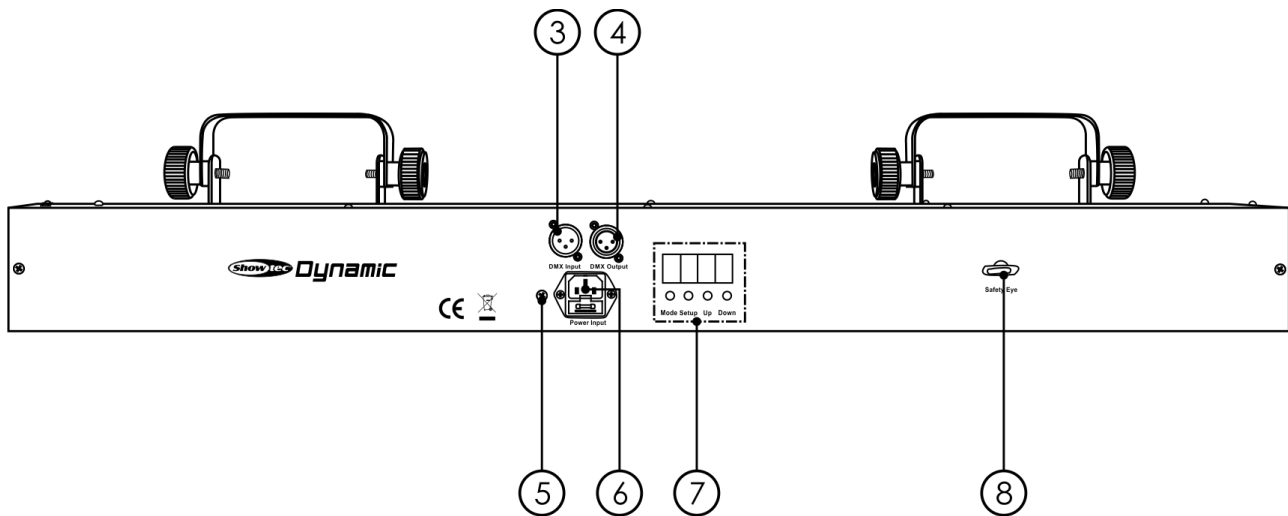


Fig. 02

- 03) 3-pin DMX signal connector IN
- 04) 3-pin DMX signal connector OUT
- 05) Ground/earth connection
- 06) IEC Power connector IN + Fuse T1L/250V
- 07) LED display + menu buttons
- 08) Safety eye

Installation

Remove all packing materials from the Dynamic LED. Check if all foam and plastic padding is removed. Connect all cables.

Do not supply power before the whole system is set up and connected properly.

Always disconnect from electric mains power supply before cleaning or servicing.

Damages caused by non-observance are not subject to warranty.

Set Up and Operation

Follow the directions below, as they pertain to your preferred operation mode.

Before plugging the unit in, always make sure that the power supply matches the product specification voltage. Do not attempt to operate a 120V specification product on 230V power, or vice versa.

Connect the device to the main power supply. The device can be sound-controlled as it is equipped with a built-in microphone.

Control Modes

There are 6 modes:

- Auto Program
- Built-in programs
- Static Color (manual)
- Sound-controlled
- Master/slave
- DMX-512 (2CH or 3CH)

One Dynamic (Auto Program, Built-in programs and Static Color)

- 01) Fasten the effect light to a firm trussing. Leave at least 0,5 meter on all sides for air circulation.
- 02) Always use a safety cable (ordercode 70140 / 70141).
- 03) Plug the end of the electric mains power cord into a proper electric power supply socket.
- 04) When the Dynamic LED is not connected with a DMX cable, it functions as a stand-alone device. Please see pages 14 and 15 for more information about Auto Program, Built-in programs and Static Color.

One Dynamic (Sound-controlled)

- 01) Fasten the effect light to a firm trussing. Leave at least 0,5 meter on all sides for air circulation.
- 02) Always use a safety cable (ordercode 70140 / 70141).
- 03) Plug the end of the electric mains power cord into a proper electric power supply socket.
- 04) Turn on the music. If the device is set to sound-control, then the Dynamic LED will react to the beat of the music. Please see page 15 for more information about the sound-control options.

Multiple Dynamics (Master/Slave control)

- 01) Fasten the effect light onto firm trussing. Leave at least 0,5 meter on all sides for air circulation.
- 02) Always use a safety cable (ordercode 70140 / 70141).
- 03) Use a 3-p XLR cable to connect the Dynamic LED and other devices.

The pins:



1. Earth
2. Signal (-)
3. Signal (+)

- 04) Link the units as shown in Fig. 03, connect a DMX signal cable from the first unit's DMX "out" socket to the second unit's "in" socket. Repeat this process to link the second and third units. You can use the same functions on the master device as described on pages 14 and 15 (Auto, Built-in programs or Static color). This means you can set your desired operation mode on the master device and all slave devices will react the same as the master device.

Multiple Dynamics (Master/Slave control)

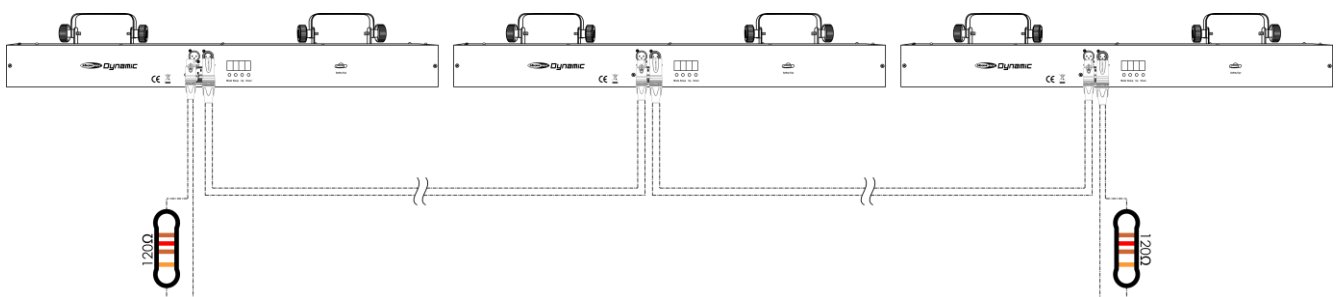
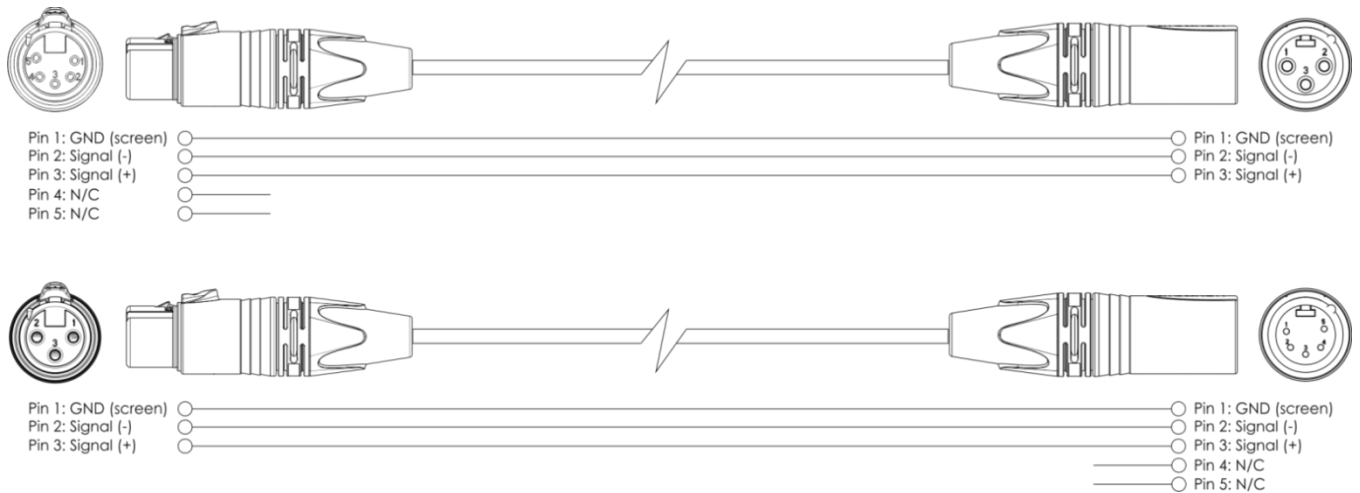


Fig. 03

Multiple Dynamics (DMX Control)

- 01) Fasten the effect light to a firm trussing. Leave at least 0,5 meter on all sides for air circulation.
- 02) Always use a safety cable (ordercode 70140 / 70141).
- 03) Use a 3-pin XLR cable to connect the Dynamics and other devices.



- 04) Link the units as shown in Fig. 04. Connect the first unit's DMX "out" socket with the second unit's "in" socket, using a DMX-signal cable. Repeat this process to link the second and third units.
- 05) Supply electric power: Plug electric mains power cords into each unit's IEC socket, then plug the other end of the mains power cord into proper electric power supply sockets, starting with the first unit. Do not supply power before the whole system is set up and connected properly.

Multiple Magicians DMX Set Up

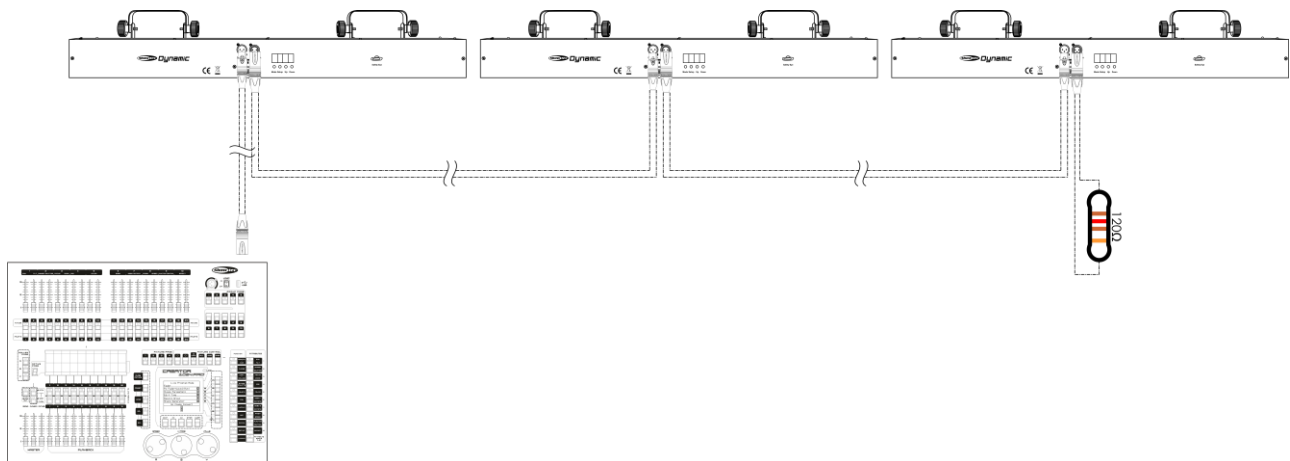


Fig. 04

Note: Link all cables before connecting electric power

Fixture Linking

You will need a serial data link to run light shows of one or more fixtures using a DMX-512 controller or to run synchronized shows of two or more fixtures set to a master/slave operating mode. The combined number of channels required by all the fixtures on a serial data link determines the number of fixtures the data link can support.

Important: Fixtures on a serial data link must be daisy-chained in a single line. To comply with the EIA-485 standard, no more than 30 devices should be connected on one data link. Connecting more than 30 fixtures on one serial data link without the use of a DMX optically isolated splitter may result in deterioration of the digital DMX signal.



Maximum recommended DMX data link distance: 100 meters
Maximum recommended number of fixtures on a DMX data link: 30 fixtures

Data Cabling

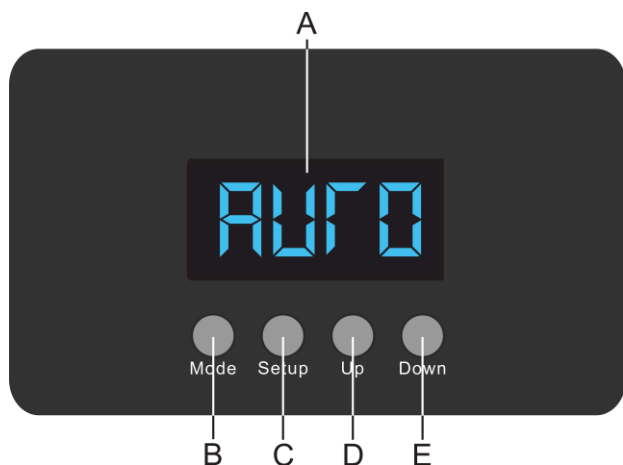
To link fixtures together, you must obtain data cables. You can purchase DAP Audio certified DMX cables directly from a dealer/distributor or construct your own cable. If you choose to create your own cable, please use data-grade cables that can carry a high quality signal and are less prone to electromagnetic interference.

DAP Audio DMX Data Cables

- DAP Audio Basic microphone cable for allround use. bal. XLR/M 3-pin > XLR/F 3-pin. **Ordercode** FL01150 (1,5 m), FL013 (3 m), FL016 (6 m), FL0110 (10 m), FL0115 (15 m), FL0120 (20 m).
- DAP Audio X-type data cable XLR/M 3-pin > XLR/F 3-pin. **Ordercode** FLX0175 (0,75 m), FLX01150 (1,5 m), FLX013 (3 m), FLX016 (6 m), FLX0110 (10 m).
- DAP Audio cable for the demanding user with exceptional audio-qualities and connector made by Neutrik®. **Ordercode** FL71150 (1,5 m), FL713 (3 m), FL716 (6 m), FL7110 (10 m).
- DAP Audio cable for the demanding user with exceptional audio-qualities and connector made by Neutrik®. **Ordercode** FL7275 (0,75 m), FL72150 (1,5 m), FL723 (3 m), FL726 (6 m), FL7210 (10 m).
- DAP Audio 110 Ohm cable with digital signal transmission. **Ordercode** FL0975 (0,75 m), FL09150 (1,5 m), FL093 (3 m), FL096 (6 m), FL0910 (10 m), FL0915 (15 m), FL0920 (20 m).
- DAP Audio DMX adapter: 3-pin/5-pin. **Ordercode** FLA30.

The Dynamic LED can be operated with a controller in **control mode** or without the controller in **stand-alone mode**.

Control Panel



- A) LED Display
- B) Mode Button
- C) Setup button
- D) Up button
- E) Down button

Fig. 05

Control Mode

The fixtures are individually addressed on a data-link and connected to the controller. The fixtures respond to the DMX signal from the controller. (When you select the DMX address and save it, the controller will display the saved DMX address, next time.)

DMX Addressing

The control panel on the back side of the device allows you to assign DMX fixture addresses, which is the first channel with which the Dynamic will respond to the controller.

Please note, when you use the controller, the unit has **3** channels.

When using multiple Dynamics, make sure you set the DMX addresses right.

Therefore, the DMX address of the first Dynamic should be **1(d001)**; the DMX address of the second Dynamic should be **1+3=4 (d004)**; the DMX address of the third Dynamic should be **4+3=7 (d007)**, etc.

Please, be sure that you do not have any overlapping channels in order to control each Dynamic correctly. If two or more Dynamics are addressed similarly, they will work similarly.

Controlling:

After having addressed all Dynamic fixtures, you may now start operating these via your lighting controller.

Note: After switching on, the Dynamic will automatically detect whether DMX 512 data is received or not. If there is no data received at the DMX-input, the "LED" on the control panel will not flash.

If not, the problem may be:

- The XLR cable from the controller is not connected with the input of the Dynamic.
- The controller is switched off or defective, the cable or connector is defective, or the signal wires are swapped in the input connector.

Note: It is necessary to insert an XLR termination plug (with 120 Ohm) in the last fixture in order to ensure proper transmission on the DMX data link.

Display Off after 35 seconds

When no button is pressed for 35 seconds, the display will turn off.

To light up the display, you have to press the **Mode**, **Setup**, **Up** or **Down** button.

Once you have pressed the button, the display will light up.

Menu Overview



Main Menu Options

- P-01** Built-in programs
- AUFO** Auto run program
- d001** DMX Address /DMX Channels
- SLAU** Slave Mode
- SOUN** Sound-controlled Mode
- CLFL** Static Color Mode

1. Built-in programs

With this menu you can choose between several Built-in programs and setting the speed and strobe.

- 01) Press the **Mode** button until the display shows **Pr01**.
- 02) Press the **Up** and **Down** buttons to choose between 42 types of built-in programs

Pr01  **Pr42**

- 03) Press the **Setup** button to open the submenu from the chosen built-in program.
- 04) Press the **Setup** button to scroll through the menu, you can choose between 2 options:

SP01 – **SP99** **SPFL** Program speed from 0-99 and FL

F500 – **F599** Strobe frequency from 0-99, from slow to fast

- 05) Press the **Up** and **Down** buttons to set the program speed and strobe frequency.

2. Auto run programs

With this menu you can set and activate the Auto run program.

- 01) Press the **Mode** button until the display shows **AUTO**.
- 02) Press the **Setup** button to open the submenu from the auto run program, you can choose between 3 options:

n001 – **n100** Number of loops from 001-100

SP01 – **SP99** **SPFL** Program speed from 0-99 and FL

F500 – **F599** Strobe frequency from 0-99, from slow to fast

- 03) Press the **Setup** button to scroll through the submenu.
- 04) Press the **Up** and **Down** buttons to set the program speed and strobe frequency.
- 05) After setting the number of loops, program speed and strobe frequency the Dynamic will immediately start the Auto run program.

3. DMX address/ DMX channels

With this menu you can set the DMX address and choose a DMX configuration.

- 01) Press the **Mode** button until the display shows **d001**.

- 02) Press the **Up** and **Down** buttons to set the DMX address between **d001**  **d512**.

- 03) Press the **Setup** button to open the submenu to choose a DMX configuration:

d-P1 3 Channels

d-P2 2 Channels

- 05) Press the **Up** and **Down** buttons to choose between the two options.

4. Slave mode

With this menu you can set the device as a Slave.

- 01) Press the **Mode** button until the display shows **SLAV**.

- 02) If the device has not been set to slave, it is automatically classified as a master device. All slave devices will follow the master movement. If the device has been set to slave, it will react the same as its master device.

5. Sound-controlled Mode

With this menu you can set the Sound-controlled programs.

- 01) Press the **Mode** button until the display shows **SOUN**.
- 02) Press the **Setup** button to open the submenu, you can choose between 2 options:

5100 - **511** Sound program 1: the LEDs will keep running for 5 seconds after the music has been stopped

5200 - **521** Sound program 2: the LEDs immediately stop running when the music stops

- 03) Hold the **Up** or **Down** button for 3 seconds to switch between program 1 or program 2.
- 04) Press the **Up** and **Down** buttons to set the sensitivity from the two sound programs, between 100-131, from less sensitivity to maximum sensitivity.
- 05) Turn on the music and the Dynamic LED will immediately start the desired Sound-controlled program.

6. Static Control Mode

With this menu you can manually set a desired preset color.

- 01) Press the **Mode** button until the display shows **CLFL**.
- 02) Press the **Up** and **Down** buttons to choose between the 11 preset colors:

| | |
|-------------|---------------------------------|
| CLFL | Red, Green, Blue, White, Orange |
| CL7- | Red |
| CL9- | Green |
| CL6- | Blue |
| CL4- | Orange |
| CLu- | White |
| CL4u | Orange+White |
| CL79 | Red+Green |
| CL7b | Red+Blue |
| CL9b | Green+Blue |
| CL3C | Red+Green+Blue |

DMX Channels

3 channels

Channel 1 – Built-in programs

| | |
|---------|------------------|
| 0 | No function |
| 1-5 | Program 1 |
| 6-11 | Program 2 |
| 12-17 | Program 3 |
| 18-23 | Program 4 |
| 24-29 | Program 5 |
| 30-35 | Program 6 |
| 36-41 | Program 7 |
| 42-47 | Program 8 |
| 48-53 | Program 9 |
| 54-59 | Program 10 |
| 60-65 | Program 11 |
| 66-71 | Program 12 |
| 72-77 | Program 13 |
| 78-83 | Program 14 |
| 84-89 | Program 15 |
| 90-95 | Program 16 |
| 96-101 | Program 17 |
| 102-107 | Program 18 |
| 108-113 | Program 19 |
| 114-119 | Program 20 |
| 120-125 | Program 21 |
| 126-131 | Program 22 |
| 132-137 | Program 23 |
| 138-143 | Program 24 |
| 144-149 | Program 25 |
| 150-155 | Program 26 |
| 156-161 | Program 27 |
| 162-167 | Program 28 |
| 168-173 | Program 29 |
| 174-179 | Program 30 |
| 180-185 | Program 31 |
| 186-191 | Program 32 |
| 192-197 | Program 33 |
| 198-203 | Program 34 |
| 204-209 | Program 35 |
| 210-215 | Program 36 |
| 216-221 | Program 37 |
| 222-227 | Program 38 |
| 228-233 | Program 39 |
| 234-239 | Program 40 |
| 240-245 | Program 41 |
| 246-251 | Program 42 |
| 252-255 | Sound-controlled |

Channel 2 – Speed Built-in programs (CH1 must be set between 1-251)

| | |
|-------|---|
| 0-255 | Gradual speed adjustment Built-in programs, from slow to fast |
|-------|---|

Channel 2 – Sound sensitivity (CH1 must be set between 252-255)

| | |
|-------|---|
| 0-255 | Sound sensitivity from less sensitivity to maximum sensitivity. |
|-------|---|

Channel 3 – Strobe (CH1 must be set between 1-251)

0-255 Strobe flash frequency, from slow to fast (0-20 Hz)

Channel 3 – No function (CH1 must be set between 252-255)

0-255 No function

2 channels

Channel 1 – Preset colors

| | |
|---------|-----------------------------|
| 0 | No function |
| 1-22 | Red |
| 23-45 | Green |
| 46-68 | Blue |
| 69-91 | Orange |
| 92-114 | White |
| 115-137 | Orange+White |
| 138-160 | Red+Green |
| 161-183 | Red+Blue |
| 184-206 | Green+Blue |
| 207-229 | Red+Green+Blue |
| 230-252 | Red+Green+Blue+White+Yellow |
| 253-255 | Sound-controlled |

Channel 2 – Strobe (CH1 must be set between 1-252)

0-255 Strobe flash frequency, from slow to fast (0-20 Hz)

Channel 2 – Sound sensitivity (CH1 must be set between 253-255)

0-255 Sound sensitivity from less sensitivity to maximum sensitivity.

Maintenance

The operator has to make sure that safety-related and machine-technical installations are to be inspected by an expert after every year in the course of an acceptance test.

The operator has to make sure that safety-related and machine-technical installations are to be inspected by a skilled person once a year.

The following points have to be considered during the inspection:

- 01) All screws used for installing the device or parts of the device have to be tightly connected and must not be corroded.
- 02) There may not be any deformations on housings, fixations and installation spots.
- 03) Mechanically moving parts like axles, eyes and others may not show any traces of wearing.
- 04) The electric power supply cables must not show any damages or material fatigue.

The Dynamic LED requires almost no maintenance. However, you should keep the unit clean.

Otherwise, the fixture's light-output will be significantly reduced. Disconnect the mains power supply, and then wipe the cover with a damp cloth. Do not immerse in liquid. Wipe lens clean with glass cleaner and a soft cloth. Do not use alcohol or solvents.

The front lens will require weekly cleaning, as smoke-fluid tends to build up residues, reducing the light-output very quickly.

Keep connections clean. Disconnect electric power, and then wipe the DMX and audio connections with a damp cloth. Make sure connections are thoroughly dry before linking equipment or supplying electric power.

Replacing the Fuse

Power surges, short-circuit or inappropriate electrical power supply may cause a fuse to burn out.

If the fuse burns out, the product will not function whatsoever. If this happens, follow the directions below:

- 01) Unplug the unit from electric power source.
- 02) Insert a flat-headed screwdriver into a slot in the fuse cover. Gently pry up the fuse cover. the fuse will come out.
- 03) Remove the used fuse. If brown or unclear, it is burned out.
- 04) Insert the replacement fuse into the holder. Reinsert the fuse cover. Be sure to use a fuse of the same type and specification. See the product specification label for details.

Troubleshooting

This troubleshooting guide is meant to help solve simple problems.

If a problem occurs, carry out the steps below in sequence until a solution is found. Once the unit operates properly, do not carry out following steps.

No Light

If the light effect does not operate properly, refer servicing to a technician.

Suspect three potential problem areas as: the power supply, LEDs, the fuse.

- 01) Power supply. Check that the unit is plugged into an appropriate power supply.
- 02) The LEDs. Return the Dynamic to your Showtec dealer.
- 03) The fuse. Replace the fuse. See page 18 for replacing the fuse.
- 04) If all of the above appears to be O.K., plug the unit in again.
- 05) If you are unable to determine the cause of the problem, do not open the Dynamic, as this may damage the unit and the warranty will become void.
- 06) Return the device to your Showtec dealer.

No Response to DMX

Suspect the DMX cable or connectors, a controller malfunction, a light effect DMX card malfunction.

- 01) Check the DMX setting. Make sure that DMX addresses are correct.
- 02) Check the DMX cable: Unplug the unit; change the DMX cable; then reconnect to electrical power. Try your DMX control again.
- 03) Determine whether the controller or light effect is at fault. Does the controller operate properly with other DMX products? If not, take the controller in for repair. If so, take the DMX cable and the light effect to a qualified technician.

| Problem | Probable cause(s) | Solution |
|--|---|--|
| One or more fixtures do not function at all | No power to the fixture | <ul style="list-style-type: none"> • Check if power is switched on and cables are plugged in |
| | Primary fuse blown. | <ul style="list-style-type: none"> • Replace fuse. |
| Fixtures reset correctly, but all respond erratically or not at all to the controller | The controller is not connected. | <ul style="list-style-type: none"> • Connect controller. |
| | 3-pin XLR Out of the controller does not match XLR Out of the first fixture on the link (i.e. signal is reversed) | <ul style="list-style-type: none"> • Install a phase reversing cable between the controller and the first fixture on the link |
| Fixtures reset correctly, but some respond erratically or not at all to the controller | Poor data quality | <ul style="list-style-type: none"> • Check data quality. If much lower than 100 percent, the problem may be a bad data link connection, poor quality or broken cables, missing termination plug, or a defective fixture disturbing the link |
| | Bad data link connection | <ul style="list-style-type: none"> • Inspect connections and cables. Correct poor connections. Repair or replace damaged cables |
| | Data link not terminated with 120 Ohm termination plug | <ul style="list-style-type: none"> • Insert termination plug in output jack of the last fixture on the link |
| | Incorrect addressing of the fixtures | <ul style="list-style-type: none"> • Check address setting |
| | One of the fixtures is defective and disturbs data transmission on the link | <ul style="list-style-type: none"> • Bypass one fixture at a time until normal operation is restored: unplug both connectors and connect them directly together. • Have the defective fixture serviced by a qualified technician |
| | 3-pin XLR Out on the fixtures does not match (pins 2 and 3 reversed) | <ul style="list-style-type: none"> • Install a phase-reversing cable between the fixtures or swap pin 2 and 3 in the fixture that behaves erratically |
| No light or LEDs cuts out intermittently | Fixture is too hot | <ul style="list-style-type: none"> • Allow the fixture to cool down • Clean the fan • Make sure air vents in control panel and the front lens are not blocked • Turn up the air conditioning |
| | LEDs are damaged | <ul style="list-style-type: none"> • Disconnect the fixture and return it to your dealer |
| | The power supply settings do not match local AC voltage and frequency | <ul style="list-style-type: none"> • Disconnect fixture. Check settings and correct if necessary |

Product Specifications

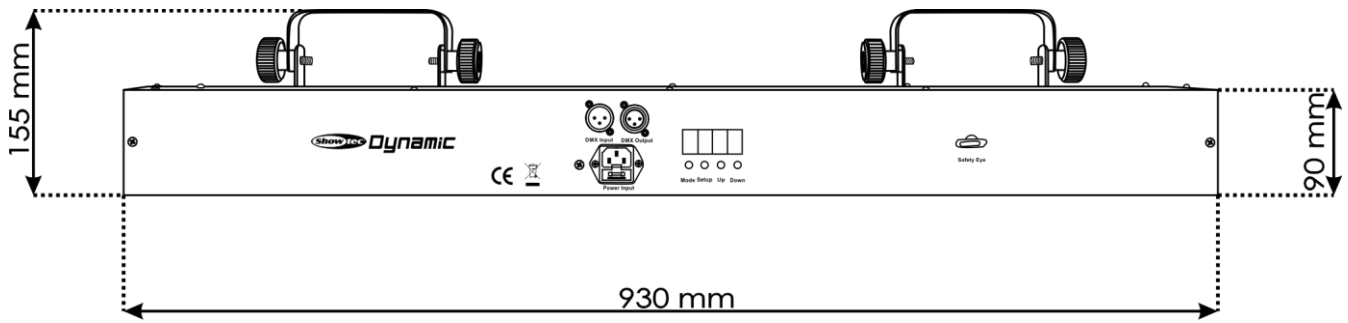
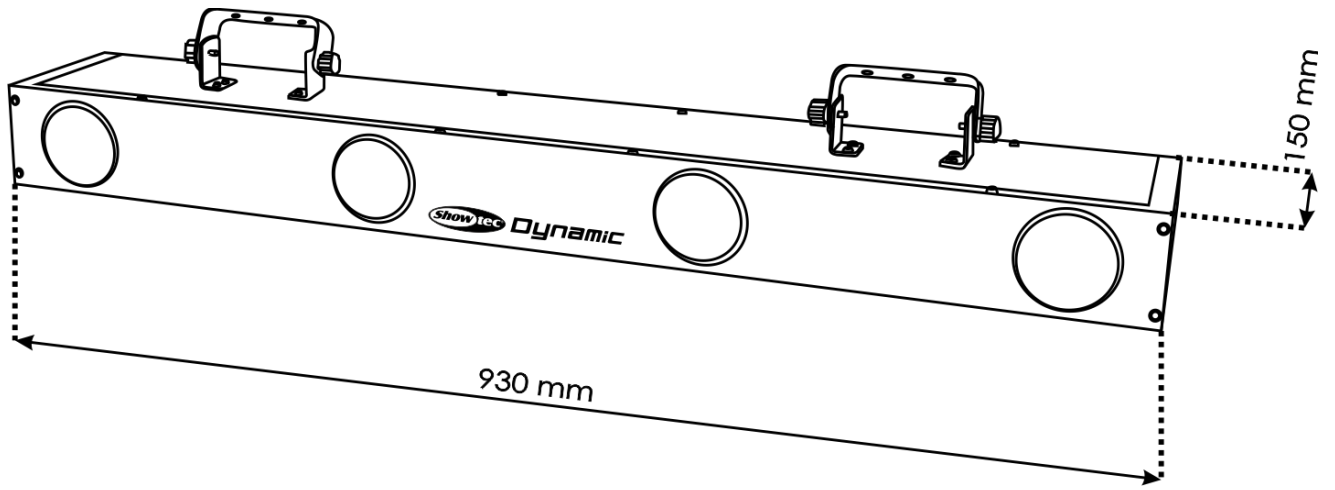
| | |
|---|--|
| Model: | Showtec Dynamic LED |
| Input Voltage: | 90-240V AC, 50/60Hz |
| Power consumption: | 38W (full output) |
| DMX linking: | 30 pcs |
| Protection rate: | IP-20 |
| Fuse: | T1L/250V |
| Dimensions: | 930 x 150 x 155 mm (LxWxH) (incl. bracket) |
| Weight: | 4,4 kg |
| Operating and Programming: | |
| Signal pin OUT: | Pin 1 (earth), pin 2 (-), pin 3 (+) |
| DMX Mode: | 2 or 3 channels |
| Signal input: | 3-pin DMX IN |
| Signal output: | 3-pin DMX OUT |
| Electro-mechanical effects: | |
| Light source: | 64 x Red, 64 x Green, 64 x Blue, 32 Yellow and 32 White 5mm LEDs (Hi brightness) |
| Housing: | Die-cast black aluminum |
| DMX-control: | via standard DMX-controller |
| On Board: | 4-digit LED display for easy setup |
| Control: | Auto, Sound-controlled, Static color, Built-in programs, Master/Slave, DMX |
| Connections: | IEC connector (IN), 3-pin XLR (IN/OUT) |
| Cooling: | Convection |
| Max. ambient temperature t_a : | 40°C |
| Max. housing temperature t_B : | 80°C |
| Minimum distance: | |
| Minimum distance from flammable surfaces: | 0,5 m |
| Minimum distance to lighted object: | 1 m |

Design and product specifications are subject to change without prior notice.



Website: www.Showtec.info
 Email: service@highlite.nl

Dimensions





©2017 Showtec