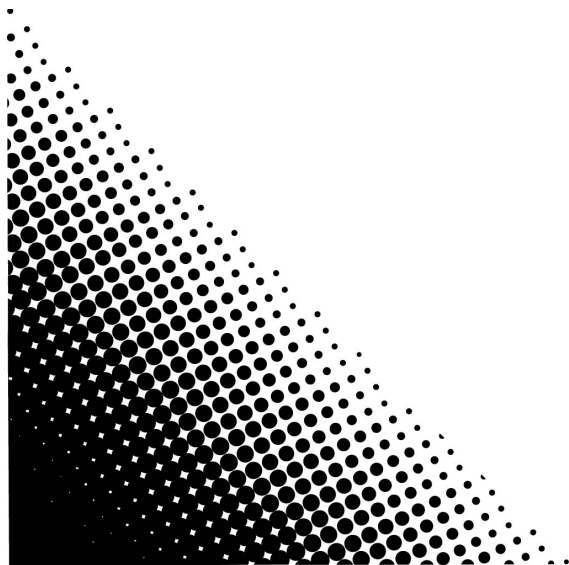
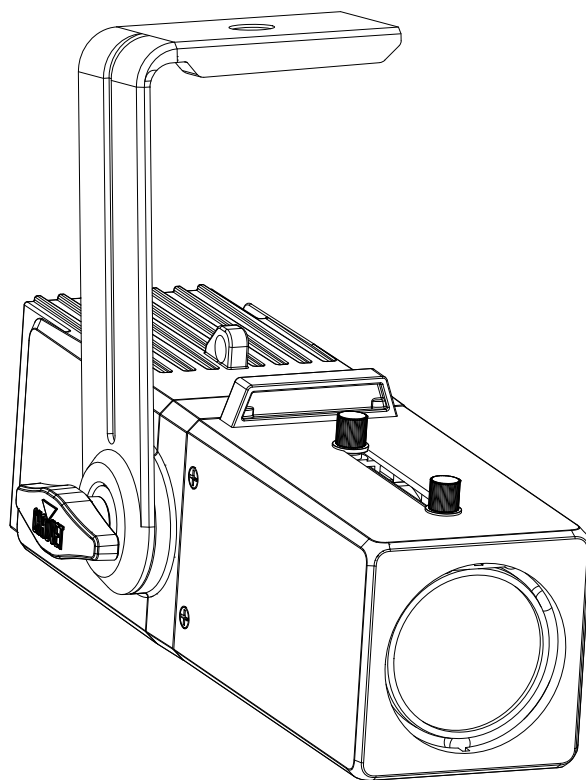


# FREEDOM GOBO

IP

## User Manual



  
CHAUVET 

---

**TABLE OF CONTENTS**

<b>1. Before You Begin</b> .....	1
What Is Included .....	1
Unpacking Instructions.....	1
Claims .....	1
Text Conventions .....	1
Symbols .....	1
Disclaimer .....	1
Intellectual Property .....	1
Safety Notes.....	2
<b>2. Introduction</b> .....	3
Product Overview.....	3
Product Dimensions .....	4
<b>3. Setup</b> .....	5
AC Power.....	5
Battery Power.....	5
Charging the Battery .....	5
Battery Life Indicator .....	5
Mounting .....	6
Orientation.....	6
Rigging .....	6
<b>4. Operation</b> .....	7
Control Panel Operation.....	7
Menu Map .....	7
DMX Linking.....	8
DMX Personality and Starting Address .....	8
Wireless DMX Configuration .....	8
DMX Channel Assignments and Values .....	9
3CH .....	9
1CH .....	9
Configuration (Standalone) .....	9
Static Mode .....	9
Strobe.....	9
Dimmer Mode.....	9
IRC-6 Infrared Remote Control .....	10
IRC-6 Operation .....	10
Master/Slave Mode .....	10
<b>5. Maintenance</b> .....	11
Product Maintenance .....	11
<b>6. Technical Specifications</b> .....	12
<b>Returns</b> .....	13
<b>Contact Us</b> .....	14

# 1. Before You Begin

## What Is Included

- 4x Freedom Gobo IP
- Gobo holder
- Set of 10 wedding-ready gobos
- External power supply
- IRC-6 Remote
- Hanging bracket
- Quick Reference Guide

## Unpacking Instructions

Carefully unpack the product immediately and check the container to make sure all the parts are in the package and are in good condition.

### Claims





If the box or the contents (the product and included accessories) appear damaged from shipping, or show signs of mishandling, notify the carrier immediately, not Chauvet. Failure to report damage to the carrier immediately may invalidate your claim. In addition, keep the box and contents for inspection.

For other issues, such as missing components or parts, damage not related to shipping, or concealed damage, file a claim with Chauvet within 7 days of delivery.

## Text Conventions

Convention	Meaning
<b>1–512</b>	A range of values
<b>50/60</b>	A set of values of which only one can be chosen
<b>Settings</b>	A menu option not to be modified
<b>Menu &gt; Settings</b>	A sequence of menu options to be followed
<b>&lt;ENTER&gt;</b>	A button to be pressed on the product's control panel
<b>ON</b>	A value to be entered or selected

## Symbols

Symbol	Meaning
	Electrical warning. Not following these instructions may cause electrical damage to the product, accessories, or the user.
	Critical installation, configuration, or operation information. Not following these instructions may make the product not work, cause damage to the product, or cause harm to the operator.
	Important installation or configuration information. The product may not function correctly if this information is not used.
	Useful information.

## Disclaimer

Chauvet believes that the information contained in this manual is accurate in all respects. However, Chauvet assumes no responsibility and specifically disclaims any and all liability to any party for any loss, damage or disruption caused by any errors or omissions in this document, whether such errors or omissions result from negligence, accident or any other cause. Chauvet reserves the right to revise the content of this document without any obligation to notify any person or company of such revision, however, Chauvet has no obligation to make, and does not commit to make, any such revisions. Download the latest version from [www.chauvetdj.com](http://www.chauvetdj.com).

## Intellectual Property

The works of authorship contained in this manual, including, but not limited to, all design, text and images are owned by Chauvet.


© Copyright 2020 Chauvet & Sons, LLC. All rights reserved.

Electronically published by Chauvet in the United States of America.

CHAUVET, the Chauvet logo, and Freedom Gobo IP are registered trademarks or trademarks of Chauvet & Sons LLC (d/b/a Chauvet and Chauvet Lighting) in the United States and other countries. Other company and product names and logos referred to herein may be trademarks of their respective companies.

## Safety Notes



- Always connect the product to a grounded circuit to avoid the risk of electrocution.
  - Always disconnect the product from the power source before cleaning or replacing the fuse.
  - Avoid direct eye exposure to the light source while the product is on.
  - Make sure the power cord is not crimped or damaged.
  - Never disconnect the product from power by pulling or tugging on the cord.
  - Make sure there are no flammable materials close to the product when operating.
  - Do not touch the product's housing when operating because it may be very hot.
  - Do not charge the battery of the product in a closed case or container.
  
  - The product is not intended for permanent installation.
  - The voltage of the outlet to which you are connecting this product must be within the range stated on the decal or rear panel of the product.
  - This product is for indoor or temporary outdoor use (IP54). Do not expose to harsh or excessively corrosive environmental conditions (whether indoors or outdoors), including, but not limited to, extreme temperatures, humidity, atmospheric conditions (including salinity or pressure), radiation (UV, infrared or nuclear), shock and conditions which exceed the product's Ingress Protection (IP) rating.
- 
- Never connect the product to a dimmer or rheostat.
  - Make sure to replace the fuse with another of the same type and rating.
  - Never carry the product from the power cord or any moving part. Always use the hanging/mounting bracket.
  - The maximum ambient temperature is 104 °F (40 °C). Do not operate this product at higher temperatures.
  - In the event of a serious operating problem, stop using the product immediately.
  - Never attempt to repair the product. Repairs carried out by unskilled people can lead to damage or malfunction. Please contact the nearest authorized technical assistance center.
  - To eliminate unnecessary wear and improve its lifespan, during periods of non-use completely disconnect the product from power via breaker or by unplugging it.

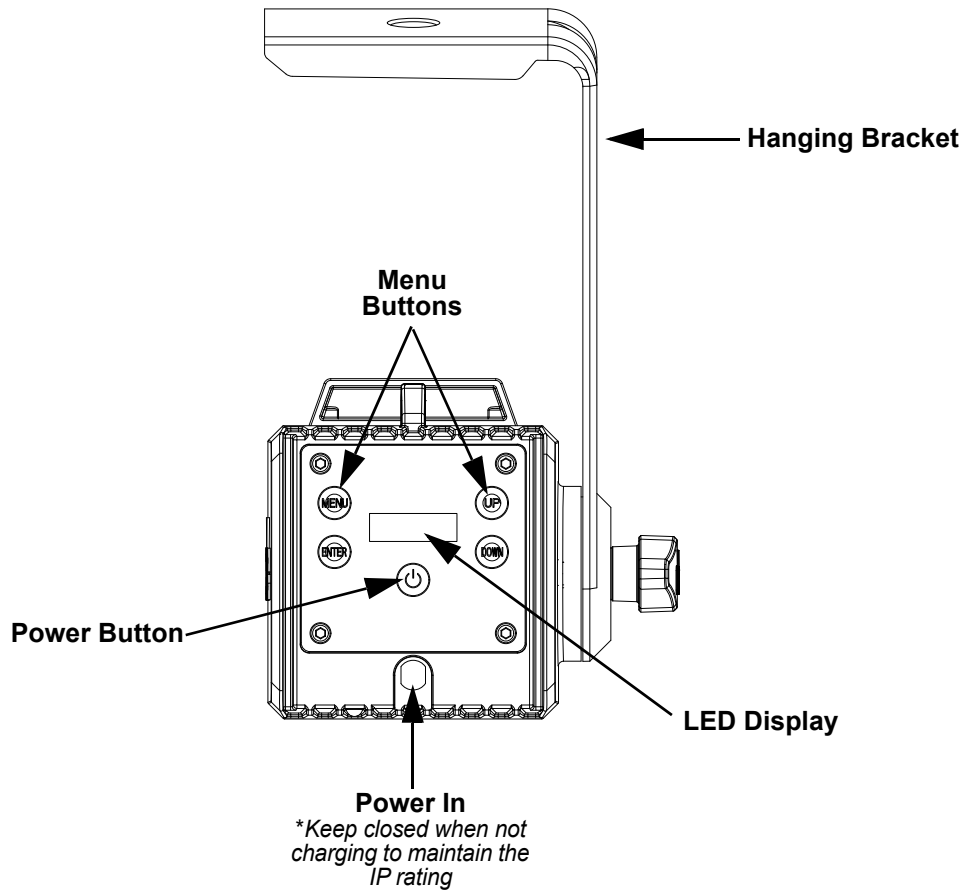


**Keep this User Manual for future use. If the product is sold to someone else, be sure that they also receive this document.**

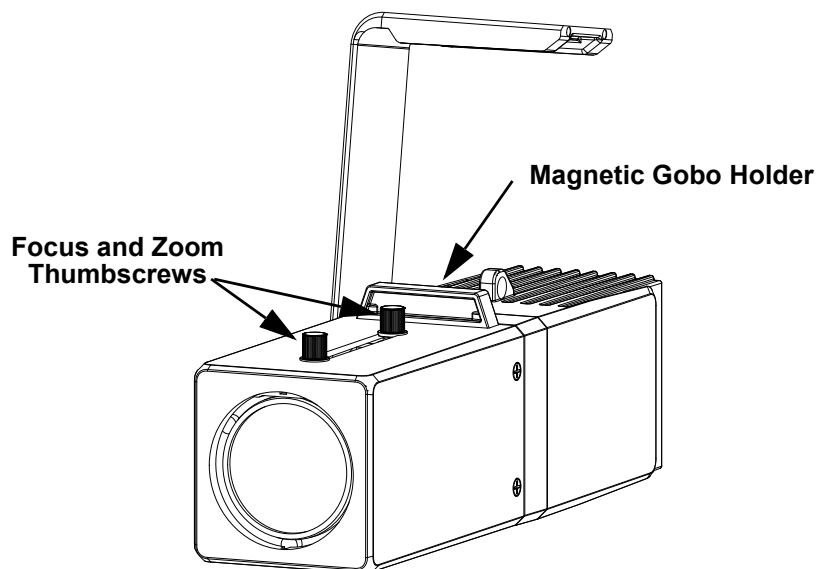
## 2. Introduction

### Product Overview

#### Back Panel View

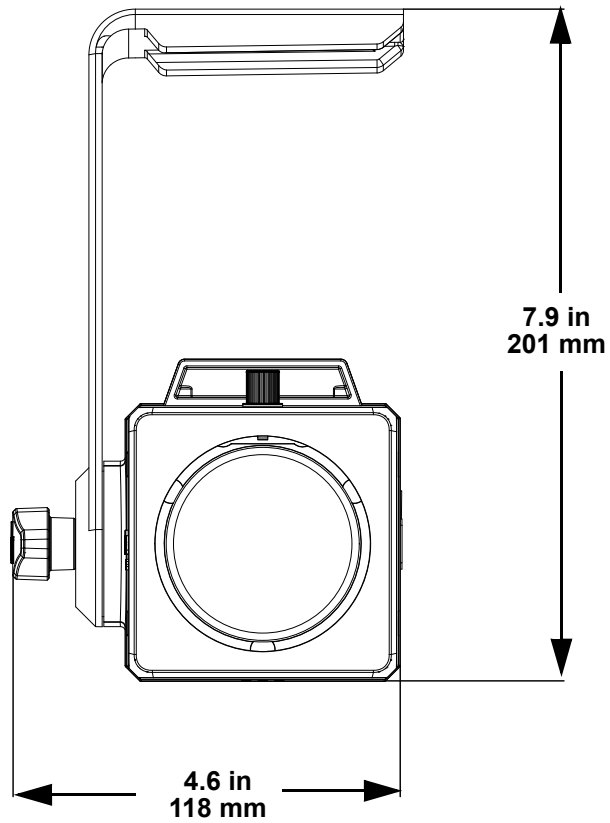


#### Side Panel View

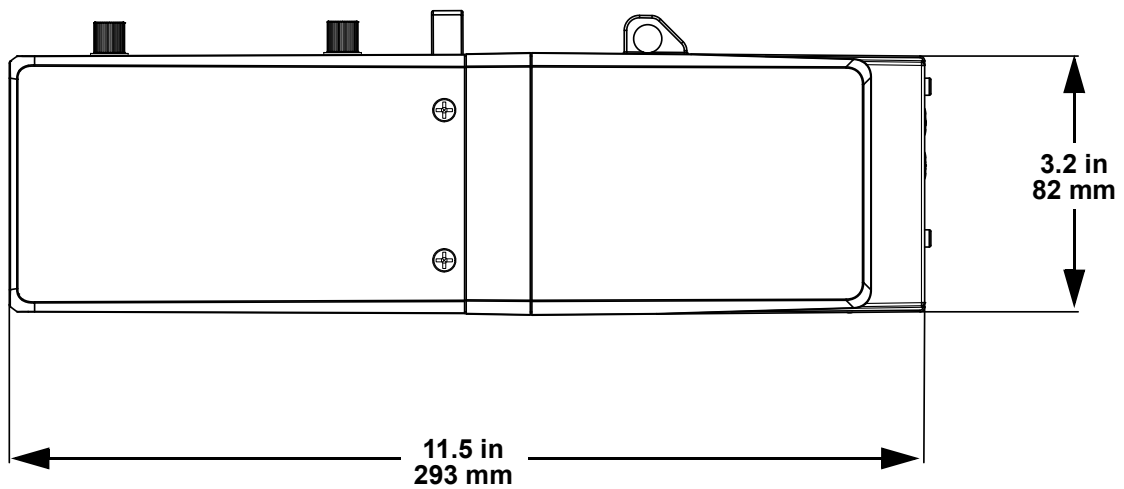


**Product Dimensions**

**Front View**



**Side View**



### 3. Setup

#### AC Power

The Freedom Gobo IP has an auto-ranging power supply and it can work with an input voltage range of 100 to 240 VAC, 50/60 Hz.

To determine the product's power requirements (circuit breaker, power outlet, and wiring), use the current value listed on the label affixed to the product's back panel, or refer to the product's specifications chart. The listed current rating indicates the product's average current draw under normal conditions.



- **Always connect the product to a protected circuit (a circuit breaker or fuse). Make sure the product has an appropriate electrical ground to avoid the risk of electrocution or fire.**
- **To eliminate unnecessary wear and improve its lifespan, during periods of non-use completely disconnect the product from power via breaker or by unplugging it.**



**Never connect the product to a rheostat (variable resistor) or dimmer circuit, even if the rheostat or dimmer channel serves only as a 0 to 100% switch.**

#### Battery Power

The Freedom Gobo IP comes with a rechargeable lithium battery for cable free operation.

#### Charging the Battery

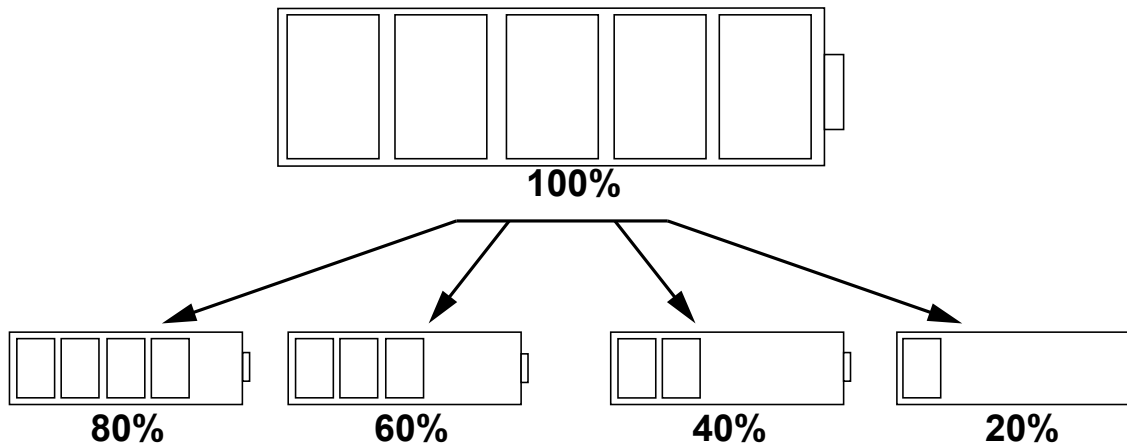
The battery charges whenever the Freedom Gobo IP is plugged into the external power supply and the charger is plugged into a power source. If the product is plugged in and not in operation, make sure the product is turned off.



**This product will lose its IP rating if the external power supply is attached while mounted and in operation.**

#### Battery Life Indicator

The indicators on the LED Menu Display show how much battery life remains available. The drawing below provides a key to reading the battery life indicators.



#### Battery Run Time

<b>Maximum Run Time (all colors on)</b>	<b>Recharge Time</b>
Up to 8 hours	2.5 hours

### Mounting

Before mounting the product, read and follow the safety recommendations indicated in the [Safety Notes](#).

#### Orientation

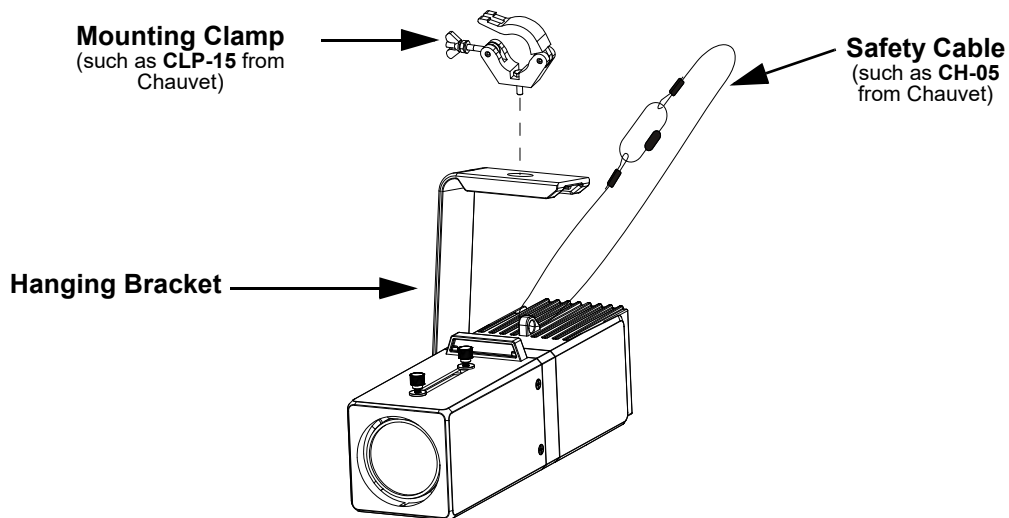
The Freedom Gobo IP may be mounted in any position; however, make sure adequate ventilation is provided around the product.

#### Rigging

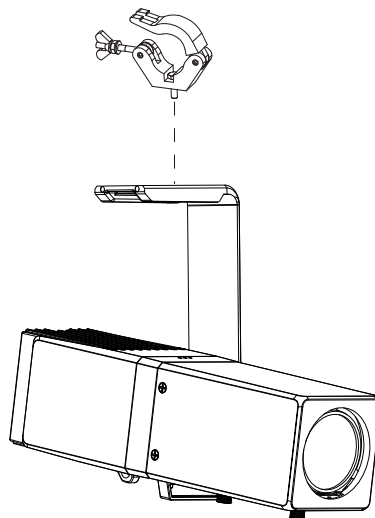
- Before deciding on a location, always make sure there is easy access to the product for maintenance and programming.
- Make sure adequate ventilation is provided around the product.
- Make sure that the structure or surface onto which you are mounting the product can support the product's weight. (see the [Technical Specifications](#))
- When mounting the product overhead, always use a safety cable. Mount the product securely to a rigging point, whether an elevated platform or a truss.
- When rigging the product onto a truss, use a mounting clamp of appropriate weight capacity.

#### Mounting Diagram

##### Indoor Mount



##### Outdoor Mount



- The Indoor Mounting option can be used outdoors but be advised that rainy weather may affect how the gobo design is displayed due to moisture entering the gobo holder.
- The unit will not be harmed by moisture entering the interior.



## 4. Operation

### Control Panel Operation

To access the control panel functions, use the four buttons located underneath the display. Please refer to the [Product Overview](#) to see the button locations on the control panel.

Button	Function
<MENU>	Press to find an operation mode or to back out of the current menu option
<UP>	Press to scroll up the list of options or to increase the numeric value in a function
<DOWN>	Press to scroll down the list of options or to decrease the numeric value in a function
<ENTER>	Press to activate a menu option or set the selected value in a function

### Menu Map

Mode	Programming Levels	Description	
DMX Address	001–512	Sets DMX starting address	
DMX Channel	1Ch	Sets DMX personality	
	3Ch		
Static	Dimmer	000–255	Sets dimmer control
	Strobe	000–255	Sets strobe control
Master/Slave	Master	Master mode	
	Slave	Slave mode	
Wireless Setting	Wireless On/Off	On	Turns wireless capability on or off (Select "On" for Wireless Mode and Wireless Channel)
		Off	
	Wireless Mode	Transmit	Set to transmitter or receiver channel
Receive			
	Wireless Channel	CH01–CH16	Select the wireless channel
IR Setting	Off	Turns infrared on or off	
	On		
Run Time	Off	Maximum intensity, limiting battery run time to 4 hrs	
	6 Hours	Reduced intensity, limiting battery run time to 6 hrs	
	8 Hours	Extends battery to the maximum run time of 8 hrs	
Dimmer Mode	Off	No dimming effect	
	Dimmer 1	Sets the dimming speed, fast to slow	
	Dimmer 2		
	Dimmer 3		
Back Light	10S	LED display turns off after 10 seconds	
	30S	LED display turns off after 30 seconds	
	2Mins	LED display turns off after 2 minutes	
	Always On	LED display does not turn off	
Information	Fixture Hours	9999H	Displays the total operating hours of the device
	Version	V0.1	Shows installed software version
Factory Reset	No	Resets to factory settings	
	Yes		

## DMX Linking

The Freedom Gobo IP does not have a DMX input or output, but can be controlled using a D-Fi Hub or FlareCON Air products.

### DMX Personality and Starting Address

When selecting a starting DMX address, always consider the number of DMX channels the selected DMX mode uses. If the starting address is set too high, access to some of the product's channels could be restricted. To ensure full access to all channels available in each DMX mode, the highest recommended DMX address is **510**.

For information about the DMX protocol, download the DMX Primer from [www.chauvetdj.com](http://www.chauvetdj.com).

To select the starting address, do the following:

1. Press **<MENU>** repeatedly until **DMX Channel** shows on the display.
2. Press **<ENTER>**.
3. Use **<UP>** or **<DOWN>** to select **1Ch**, or **3Ch**.
4. Press **<ENTER>**.
5. Press **<MENU>** repeatedly until **DMX Address** shows on the display.
6. Press **<ENTER>** and **001** will show on the display.
7. Use **<UP>** or **<DOWN>** to select the starting address.
8. Press **<ENTER>**.

### Wireless DMX Configuration

The Freedom Gobo IP offers wireless control of 2 or more products with a single DMX controller. To set up the D-Fi 2.4 GHz transceiver, follow the instructions below.

For the transmitting product:

1. Press **<MENU>** repeatedly until **Wireless Setting** shows on the display.
2. Press **<ENTER>**.
3. Use **<UP>** or **<DOWN>** to select **Wireless Mode**.
4. Press **<ENTER>**.
5. Use **<UP>** or **<DOWN>** to select **Transmit**.
6. Press **<ENTER>**.
7. Use **<UP>** or **<DOWN>** to select **Wireless Channel**.
8. Press **<ENTER>**.
9. Use **<UP>** or **<DOWN>** to select the D-Fi channel, from **CH01–CH16**.
10. Press **<ENTER>**.

For the receiving product(s):

1. Press **<MENU>** repeatedly until **Wireless Setting** shows on the display.
2. Press **<ENTER>**.
3. Use **<UP>** or **<DOWN>** to select **Wireless Mode**.
4. Press **<ENTER>**.
5. Use **<UP>** or **<DOWN>** to select **Receive**.
6. Press **<ENTER>**.
7. Use **<UP>** or **<DOWN>** to select **Wireless Channel**.
8. Press **<ENTER>**.
9. Use **<UP>** or **<DOWN>** to select the D-Fi channel, from **CH01–CH16** (channel number should match the channel number of the transmitting product or controller).
10. Press **<ENTER>**.



**Caution: D-Fi 2.4 GHz operation can be interrupted or inhibited by obstructions between the transmitter and receiver such as structures or people. For best results, keep the line of sight clear.**

## DMX Channel Assignments and Values

### 3CH

Channel	Function	Value	Percent/Setting
1	Dimmer	000 ⇔ 255	0–100%
2	Strobe	000 ⇔ 010	No Function
		011 ⇔ 255	Strobe, fast to slow
3	Dimmer Speed Mode	000 ⇔ 051	Preset dimmer speed from display menu
		052 ⇔ 101	Dimmer speed mode off
		102 ⇔ 152	Dimmer speed mode 1 (fast speed)
		153 ⇔ 203	Dimmer speed mode 2 (middle speed)
		204 ⇔ 255	Dimmer speed mode 3 (slow speed)

### 1CH

Channel	Function	Value	Percent/Setting
1	Dimmer	000 ⇔ 255	0–100%

## Configuration (Standalone)

Set the product in one of the standalone modes to control without a DMX controller..



**Never connect a product that is operating in any standalone mode to a DMX string connected to a DMX controller. Products in standalone mode may transmit DMX signals that could interfere with the DMX signals from the controller.**

### Static Mode

To run the Freedom Gobo IP in Static mode, follow the instructions below:

1. Press **<MENU>** repeatedly until **Static** displays on the menu.
2. Press **<ENTER>**.
3. Use **<UP>** or **<DOWN>** to select **Dimmer**.
4. Press **<ENTER>**.
5. Use **<UP>** or **<DOWN>** to increase or decrease the intensity (**000–255**).
6. Press **<ENTER>**.

### Strobe

To run the Freedom Gobo IP in Strobe mode, do the following:

1. Press **<MENU>** repeatedly until **Static** displays on the menu.
2. Press **<ENTER>**.
3. Use **<UP>** or **<DOWN>** to select **Strobe**.
4. Press **<ENTER>**.
5. Use **<UP>** or **<DOWN>** to increase or decrease the speed (**000–255**).
6. Press **<ENTER>**.

### Dimmer Mode

To set the dimmer curve, follow the instructions below:

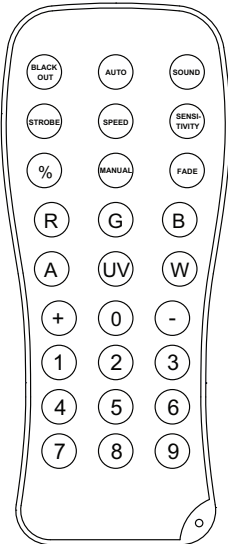
1. Press **<MENU>** repeatedly until **Dimmer Mode** shows on the display.
2. Press **<ENTER>**.
3. Use **<UP>** or **<DOWN>** to select from **Dimmer 1–3** or **OFF**.
4. Press **<ENTER>**. The product will return to the last selected mode.

## IRC-6 Infrared Remote Control

The Freedom Gobo IP is compatible with the IRC-6 infrared remote control from Chauvet. To activate IR mode, follow the instructions below:

1. Press **<MENU>** repeatedly until **IR Setting** shows on the display.
2. Press **<ENTER>**.
3. Press **<UP>** or **<DOWN>** to select **ON**.
4. Press **<ENTER>**.

## IRC-6 Operation



### Strobe

To adjust the strobe rate with the IRC-6:

1. Press **<STROBE>** on the IRC-6.
2. Press **<+>** or **<->** to increase or decrease the strobe rate.
3. Press **<STROBE>** again to return to Static mode.

### Black Out

To black out the lights with the IRC-6:

1. Press **<BLACK OUT>** on the IRC-6.

**This will turn off all the lights until the button is pressed again.**

## Master/Slave Mode

The Master/Slave mode allows a single Freedom Gobo IP product (the “master”) to control the actions of one or more Freedom Gobo IP products (the “slaves”) without the need of a DMX controller or DMX cables. The master (transmitter) product will be set to operate in either Stand-Alone mode or with the IRC-6, while the slave (receiver) products will be set to operate in Slave mode. Once set and connected, the slave products will operate in unison with the master product.

Configure the products as indicated below.

### Slave products:

1. Press **<MENU>** repeatedly until **Master/Slave** shows on the display.
2. Press **<ENTER>**.
3. Use **<UP>** or **<DOWN>** to select **Slave**.
4. Press **<ENTER>**.

### Master product:

1. Press **<MENU>** repeatedly until **Master/Slave** shows on the display.
2. Press **<ENTER>**.
3. Use **<UP>** or **<DOWN>** to select **Master**.
4. Press **<ENTER>**.
5. Set the master product to operate in Stand-Alone mode or with the IRC-6.



- **Configure all the slave products before connecting the master to the daisy chain.**
- **Never connect a DMX controller to a DMX string configured for Master/Slave operation because the controller may interfere with the signals from the master.**

## 5. Maintenance

### Product Maintenance

Dust build-up reduces light output performance and can cause overheating. This can lead to reduction of the light source's life and/or mechanical wear. To maintain optimum performance and minimize wear, clean your lighting products at least twice a month. However, be aware that usage and environmental conditions could be contributing factors to increase the cleaning frequency.

To clean the product, follow the instructions below:

1. Unplug the product from power.
2. Wait until the product is at room temperature.
3. Use a vacuum (or dry compressed air) and a soft brush to remove dust collected on the external surface/vents.
4. Clean all transparent surfaces with a mild soap solution, ammonia-free glass cleaner, or isopropyl alcohol.
5. Apply the solution directly to a soft, lint free cotton cloth or a lens cleaning tissue.
6. Softly drag any dirt or grime to the outside of the transparent surface.
7. Gently polish the transparent surfaces until they are free of haze and lint.



**Always dry the transparent surfaces carefully after cleaning them.**

## 6. Technical Specifications

### Dimensions and Weight

Length	Width	Height	Weight
11.5 in (293 mm)	4.6 in (118 mm)	7.9 in (201 mm)	5.4 lb (2.5 kg)

**Note:** Dimensions in inches rounded to the nearest decimal digit.

### Power

Power Supply Type	Range	Voltage Selection
Switching (internal)	100 to 240 VAC, 50/60 Hz	Auto-ranging

Parameter	120 V, 60 Hz	230 V, 50 Hz
Consumption	36 W	36 W
Operating Current	0.5 A	0.3 A
Fuse	1.6 A, 250 V	1.6 A, 250 V

Power I/O	U.S./Worldwide	UK/Europe
Power input connector	IEC	IEC
Power Cord plug	Edison (U.S.)	Local Plug

### Light Source

Type	Color	Quantity	Power	Current	Lifespan
LED	Cool White	1	16 W	1.2 A	50,000 hours

### Photometrics

Strobe Rate	Beam Angle (narrow)	Beam Angle (wide)	Zoom Angle (manual)	Illuminance (narrow)	Illuminance (wide)
0 to 23 Hz	16°	31°	16° to 31°	3135 lux @ 2 m	1002 lux @ 2 m

### Thermal

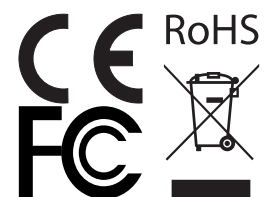
Maximum External Temperature	Cooling System
104 °F (40 °C)	Convection

### DMX

Channel Range	Optional Controllers
1 or 3	IRC-6, D-Fi Hub, FlareCON Air

### Ordering

Product Name	Item Code	UPC Number
Freedom Gobo IP	03121621	781462219697



# Returns

In case you need to get support or return a product:

- If you are located in the US, contact Chauvet World Headquarters.
- If you are located in the UK or Ireland, contact Chauvet Europe Ltd.
- If you are located in Benelux, contact Chauvet Europe BVBA.
- If you are located in France, contact Chauvet France.
- If you are located in Germany, contact Chauvet Germany.
- If you are located in Mexico, contact Chauvet Mexico.
- If you are located in any other country, DO NOT contact Chauvet. Instead, contact your local distributor. See [www.chauvetdj.com](http://www.chauvetdj.com) for distributors outside the US, UK, Ireland, Benelux, France, Germany, or Mexico.



**If you are located outside the US, UK, Ireland, Benelux, France, Germany, or Mexico, contact your distributor of record and follow their instructions on how to return Chauvet products to them. Visit our website [www.chauvetdj.com](http://www.chauvetdj.com) for contact details.**

Call the corresponding Chauvet Technical Support office and request a Return Merchandise Authorization (RMA) number before shipping the product. Be prepared to provide the model number, serial number, and a brief description of the cause for the return.

To submit a service request online, go to [www.chauvetdj.com/service-request](http://www.chauvetdj.com/service-request).

Send the merchandise prepaid, in its original box, and with its original packing and accessories. Chauvet will not issue call tags.

Clearly label the package with the RMA number. Chauvet will refuse any product returned without an RMA number.



**Write the RMA number on a properly affixed label. DO NOT write the RMA number directly on the box.**

Before sending the product, clearly write the following information on a piece of paper and place it inside the box:

- Your name
- Your address
- Your phone number
- RMA number
- A brief description of the problem

Be sure to pack the product properly. Any shipping damage resulting from inadequate packaging will be your responsibility. FedEx packing or double-boxing are recommended.



**Chauvet reserves the right to use its own discretion to repair or replace returned product(s).**

## Contact Us

General Information	Technical Support
<b>Chauvet World Headquarters</b>	
Address: 5200 NW 108th Ave. Sunrise, FL 33351 Voice: (954) 577-4455 Fax: (954) 929-5560 Toll Free: (800) 762-1084	Voice: (844) 393-7575 Fax: (954) 756-8015 Email: <a href="mailto:chauvetcs@chauvetlighting.com">chauvetcs@chauvetlighting.com</a> Website: <a href="http://www.chauvetdj.com">www.chauvetdj.com</a>
<b>Chauvet Europe Ltd</b>	
Address: Unit 1C Brookhill Road Industrial Estate Pinxton, Nottingham, UK NG16 6NT Voice: +44 (0) 1773 511115 Fax: +44 (0) 1773 511110	Email: <a href="mailto:UKtech@chauvetlighting.eu">UKtech@chauvetlighting.eu</a> Website: <a href="http://www.chauvetdj.eu">www.chauvetdj.eu</a>
<b>Chauvet Europe BVBA</b>	
Address: Stokstraat 18 9770 Kruishoutem Belgium Voice: +32 9 388 93 97	Email: <a href="mailto:BNLtech@chauvetlighting.eu">BNLtech@chauvetlighting.eu</a> Website: <a href="http://www.chauvetdj.eu">www.chauvetdj.eu</a>
<b>Chauvet France</b>	
Address: 3, Rue Ampère 91380 Chilly-Mazarin France Voice: +33 1 78 85 33 59	Email: <a href="mailto:FRtech@chauvetlighting.fr">FRtech@chauvetlighting.fr</a> Website: <a href="http://www.chauvetdj.eu">www.chauvetdj.eu</a>
<b>Chauvet Germany</b>	
Address: Bruno-Bürgel-Str. 11 28759 Bremen Germany Voice: +49 421 62 60 20	Email: <a href="mailto:DEtech@chauvetlighting.de">DEtech@chauvetlighting.de</a> Website: <a href="http://www.chauvetdj.eu">www.chauvetdj.eu</a>
<b>Chauvet Mexico</b>	
Address: Av. de las Partidas 34 - 3B (Entrance by Calle 2) Zona Industrial Lerma Lerma, Edo. de México, CP 52000 Voice: +52 (728) 690-2010	Email: <a href="mailto:servicio@chauvet.com.mx">servicio@chauvet.com.mx</a> Website: <a href="http://www.chauvetdj.mx">www.chauvetdj.mx</a>

Visit the applicable website above to verify our contact information and instructions to request support. Outside the US, United Kingdom, Ireland, Mexico, France, Germany, or Benelux, contact the dealer of record.