



Evolution Wireless Digital EW-D ASA | Active Antenna Splitter



EW-D ASA

Active Antenna Splitter for use with Evolution Wireless Digital systems.

Evolution Wireless Digital

Versatile and feature-rich digital wireless system for those who sing, speak or play instruments that allows for seamless product pairing and management via the EW-D Smart Assist App. Receive state-of-the-art live sound.

FEATURES

- Digital wireless eliminates noise, interference and static bursts
- UHF transmission greatly enhances range, reliability and scalability
- Mobile App streamlines setup and operation and eliminates complicated menus
- Automated setup creates reliable connections with minimal time and effort
- Up to 2,240 selectable frequencies
- 56 MHz Bandwidth will allow for up to 90 channels

PRODUCT VARIANTS

EW-D ASA (Q-R-S)	Active Antenna Splitter	470 - 694 MHz	Art. no. 508879
EW-D ASA (T-U-V-W)	Active Antenna Splitter	694 - 1075 MHz	Art. no. 508880
EW-D ASA (X-Y)	Active Antenna Splitter	1350 - 1805 MHz	Art. no. 508881
EW-D ASA CN/ANZ (Q-R-S)	Active Antenna Splitter	470 - 694 MHz	Art. no. 508998

ACCESSORIES

EW-D AB (Q)	Antenna Booster	470 - 550 MHz	Art. no. 508873
EW-D AB (R)	Antenna Booster	520 - 608 MHz	Art. no. 508874
EW-D AB (S)	Antenna Booster	606 - 694 MHz	Art. no. 508875
EW-D AB (U)	Antenna Booster	823 - 865 MHz	Art. no. 508876
EW-D AB (V)	Antenna Booster	902 - 960 MHz	Art. no. 508877
EW-D AB (Y)	Antenna Booster	1785 - 1805 MHz	Art. no. 508878
ADP UHF (470 - 1075 MHz)	Passive directional antenna	470 - 1075 MHz	Art. no. 508863
AD 1800	Passive directional antenna	1400 - 2400 MHz	Art. no. 504916



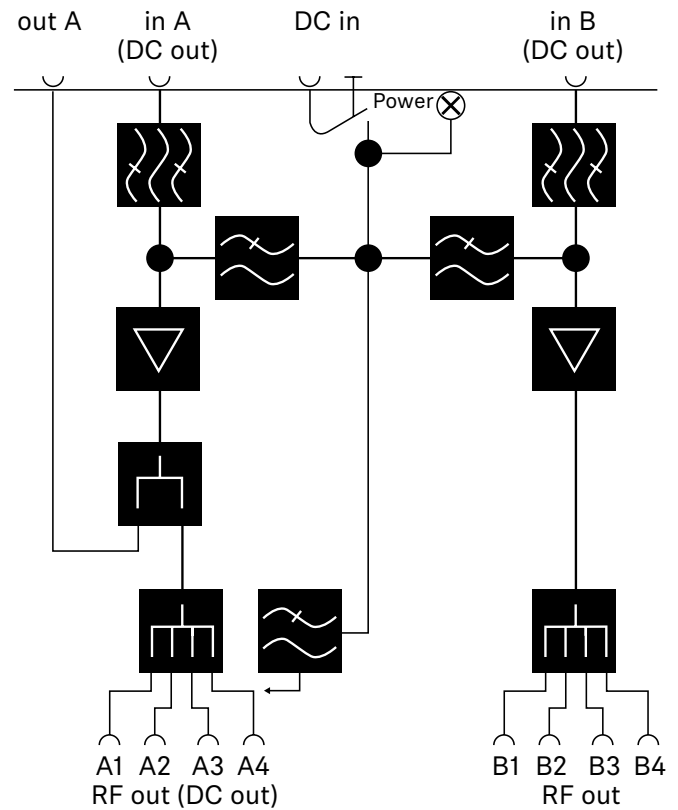
Evolution Wireless Digital

EW-D ASA | Active Antenna Splitter

SPECIFICATIONS

Frequency ranges	EW-D ASA (Q-R-S): 470 – 694 MHz EW-D ASA CN/ANZ (Q-R-S): 470 – 694 MHz EW-D ASA (T-U-V-W): 694 – 1075 MHz EW-D ASA (X-Y): 1350 – 1805 MHz
Antenna splitter	2 x 1:4 or 1 x 1:8, active
Gain	in A – out A: 0 ± 1 dB in A – out A1 ... A4: 0 ± 1 dB in B – out B1 ... B4: 0 ± 1 dB
IIP3	> 25 dBm
Impedance	50 Ω
Reflection loss	10 dB (all RF outputs)
Operating voltage	DC +12 V from NT 12-35 CS power supply unit
Current consumption	210 mA
Total current consumption	max. 3 A (with 4 EW-D EM and connected EW-D AB)
Supply for antenna boosters at ANT RF in A and ANT RF in B	DC 12 V 320 mA
Supply for receivers at A1 to A4	DC 12 V Typically 350 mA, max. 500 mA
Dimensions	Approx. 212 x 168 x 43 mm
Weight	Approx. 1100 g
Operating temperature range	-10 °C - +55 °C (14 °F - 131 °F)
Storage temperature range	-20 °C - +70 °C (-4 °F - 158 °F)
Relative humidity	5 - 95 % (non-condensing)

BLOCK DIAGRAM





Evolution Wireless Digital EW-D ASA | Active Antenna Splitter

DIMENSIONS

